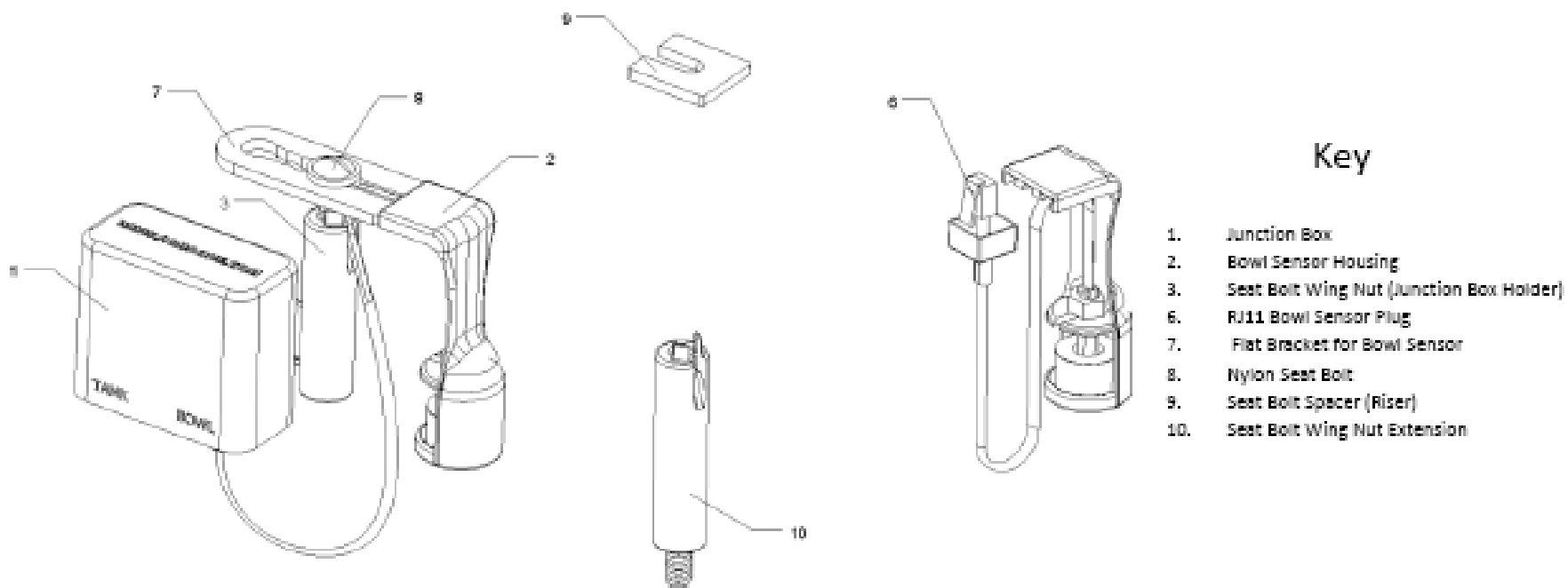




H2ORB WIRELESS BOWL SENSOR COMPONENTS



Key

1. Junction Box
2. Bowl Sensor Housing
3. Seat Bolt Wing Nut (Junction Box Holder)
6. RJ11 Bowl Sensor Plug
7. Flat Bracket for Bowl Sensor
8. Nylon Seat Bolt
9. Seat Bolt Spacer (Riser)
10. Seat Bolt Wing Nut Extension

